

## KP-3016 and KP-3016A Color Display Keypanel

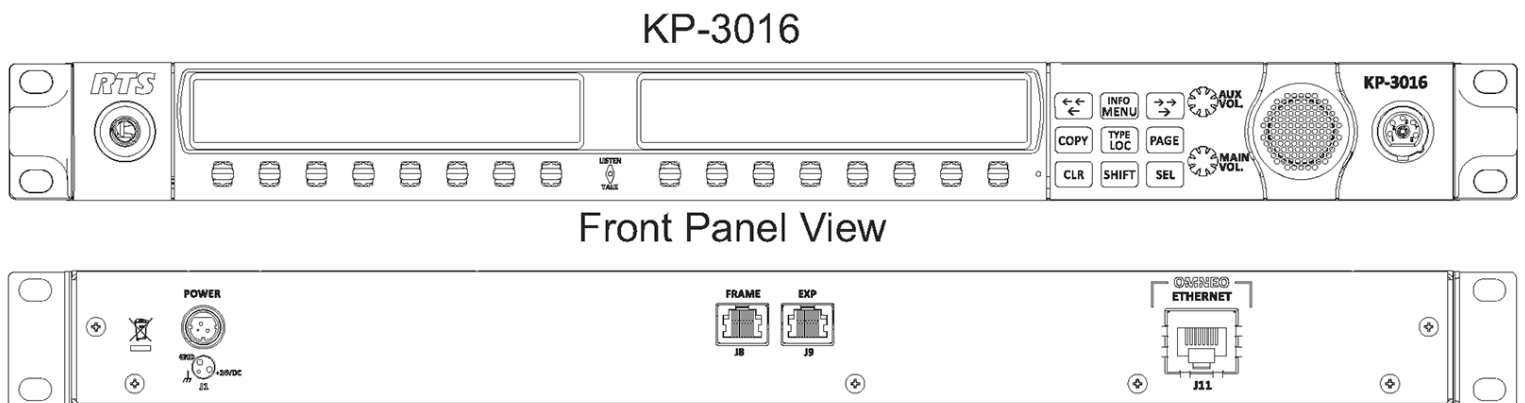


Part of the KP-Series keypanel family, the KP-3016 provides the same superior digital audio as the flagship KP-4016 model by using OMNEO media networking technology (developed by RTS parent company Bosch and incorporating Dante™ high-quality audio over IP) as well as analog technology. For the analog-only users, the KP-3016A is available. Both versions deliver top-notch sound quality, free of noise, delay, and other artifacts present in older technology.

## Features

- Wide viewing angle color screen
- Ergonomic levers for talk/listen
- Full support for OMNEO - KP-3016 Only
- Support for 4-wire analog connection
- Expansion panel option available
- Built-in speaker
- Microphone input for dynamic or electret mics
- User-replaceable XLR heads connector - 4- or 5-pin available

## Line Drawing



### Rear Panel View

\*\*\* J11 not included on the KP-3016A Keypanel

# Specifications

## LCD Display:

Active Area: ..... 120.10mm (wide) x 18.77mm (high)  
 Dot Resolution: ..... 576 x 90 pixels  
 Color Resolution ..... 16-bit (64K)RGB color  
 View Angle: ..... 80 degrees (typical; all directions)

## Power Supply:

Type: ..... External DC  
 AC Input: ..... 100–240VAC 50/60Hz

## Inputs:

**Matrix**  
 Type ..... Balanced  
 Typical Input Level ..... +8dBu  
 Typical Input Impedance ..... >10kΩ  
 Maximum Input Level ..... +20dBu  
 Supported Bandwidth ..... 100Hz to 20KHz

## Panel Mic

Type ..... Electret  
 Typical Input Level ..... -42dBu  
 Typical Input Impedance ..... 1kΩ  
 Maximum Input Level ..... -25dBu

## Headset Mic - Electret

Typical Input Level ..... -42dBu  
 Typical Input Impedance ..... 1kΩ  
 Maximum Input Level ..... -25dBu

## Headset Mic - Dynamic

Typical Input Level ..... -50dBu  
 Typical Input Impedance ..... 600Ω  
 Maximum Input Level ..... -25dBu

## Outputs:

**Matrix**  
 Type ..... Balanced  
 Typical Output Level ..... +8dBu

THD+N% ..... <0.20%  
 Typical Output Impedance ..... 600Ω  
 Maximum Output Level ..... +20dBu  
 Frequency Response ..... 100Hz to 20KHz

## Headset

Maximum Output Power ..... 125mW for 32Ω load  
 Earphone Impedance ..... 16Ω and above  
 THD+N% ..... <0.20%  
 Frequency Response ..... 100Hz to 20KHz

## Speaker

SPL ..... 84dB SPL for 1kHz sine wave @ 1 meter

## Digital:

### OMNEO Channels

Typical OMNEO Latency ..... 1ms  
 Frequency Response ..... 20Hz - 20KHz

## Environmental:

### Dimensions

17.39" W(without rack ears) x 1.72" H x 3.84" D [4.33" including volume knobs and lever keys]  
 (441.82mm x 43.8mm x 97.54mm [109.99mm including volume knobs and lever keys])

### Weight

KP-3016 ..... 3.35 lb (1.52 kg)  
 KP-3016 ..... 3.35 lb (1.52 kg)  
 Power Supply ..... 0.53lb (.24kg)  
 Power Supply Mounting Bracket .... 0.30lbs (.14kg)

### Temperature

Operating ..... 0° C to 55° C (32° F to 131° F)  
 Storage ..... -20° C to 70° C (-4° F to 158° F)

## Power Consumption:

### KP-3016

Nominal ..... 11 Watts  
 Maximum ..... 13 Watts  
 Maximum Volt Amp ..... 36 VA

### KP-3016A

Nominal ..... 8 Watts  
 Maximum ..... 10 Watts  
 Maximum Volt Amp ..... 36 VA

## Certification:

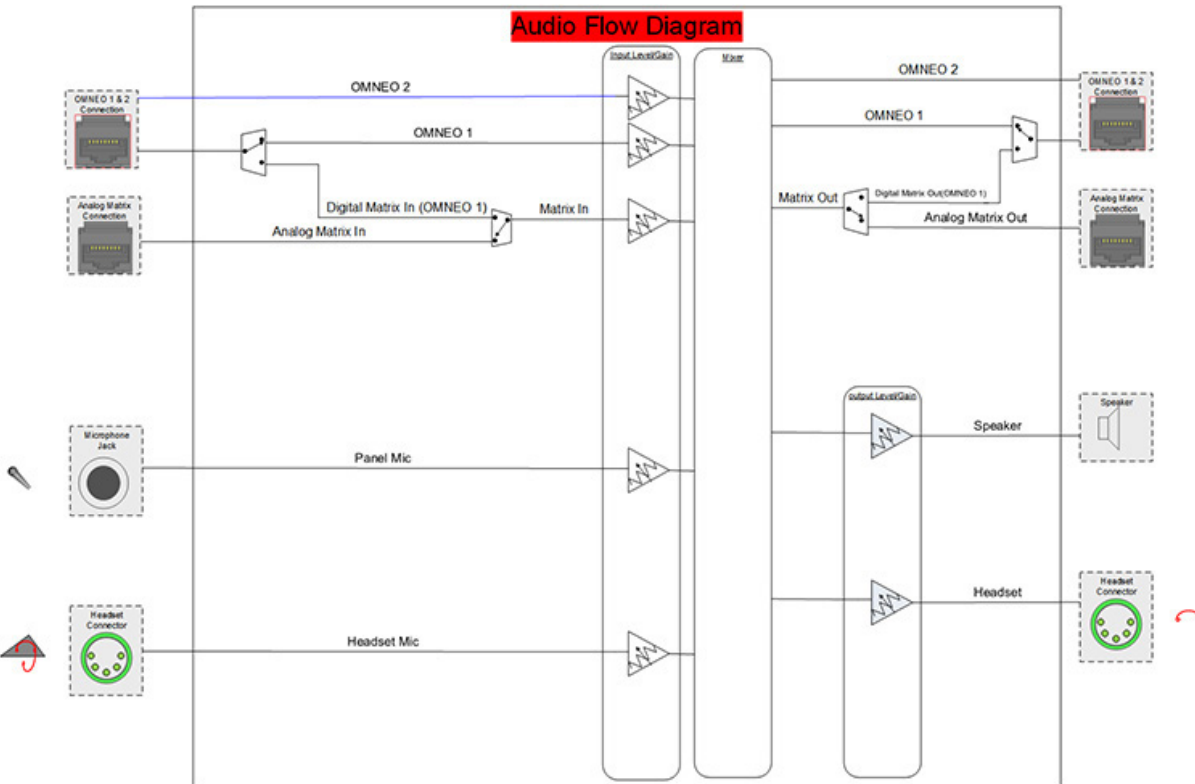
### CE Compliance

EMC  
 EN55022 Class A  
 VCCI Class A  
 ICES-003  
 FCC Part 15 Subpart B Class A  
 AS/NZS CISPR22 Class A  
 Korean KN 22  
 EN 55024  
 Korean KN 61000-4  
 BSMI Class B

### Safety

UL 60950-4  
 EN60950-1  
 CB Report  
 PSE

**Audio Flow Diagram**



# Order Information

KP-3016 • KP3016 Keypanel 1 RU A5F 16 Keys  
 KP-3016A • KP3016A Keypanel 1 RU A5F 16 Keys Analog

KP-3016 • KP3016 A4F  
 KP3016A • KP3016A A4F

The specification information is subject to change without notification. Brand names mentioned are the property of their respective companies.