



PATCHING SYSTEMS

AUDIO, VIDEO, SERIAL DATA
 600 WEST ELK AVENUE
 GLENDALE, CA. 91204
 TEL 818 500-8142
 FAX 818 500-7062
 WWW.BITTREE.COM

DATA CONTAINED IN THIS DOCUMENT IS PROPRIETARY AND SHALL NOT BE DISCLOSED, COPIED OR USED FOR PROCUREMENT OR MANUFACTURE WITHOUT EXPRESS WRITTEN PERMISSION OF BITTREE INCORPORATED

DWG. NO.: 96S2MVTHDRE.DWG

PART NO: B96S-2MVTHD

SERIES: MICRO VIDEO

DWG. SCALE: FULL

PANEL HEIGHT:
 1 RU, 1.720" [43.688]

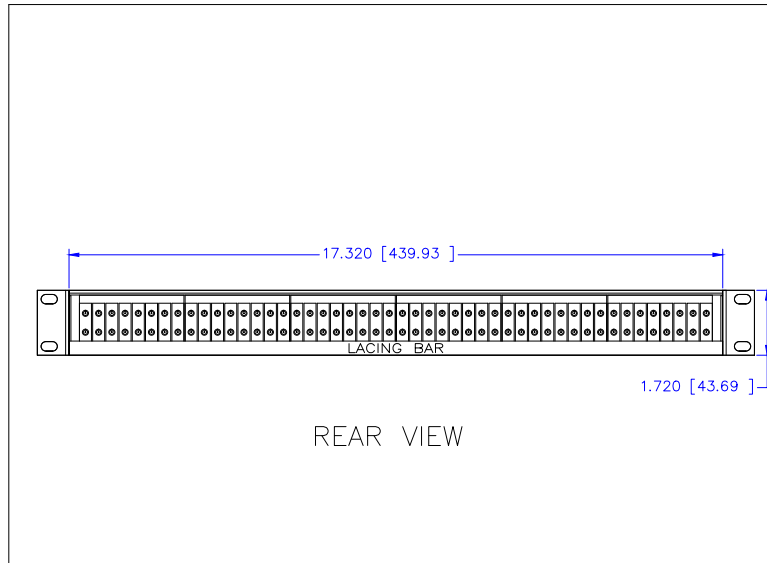
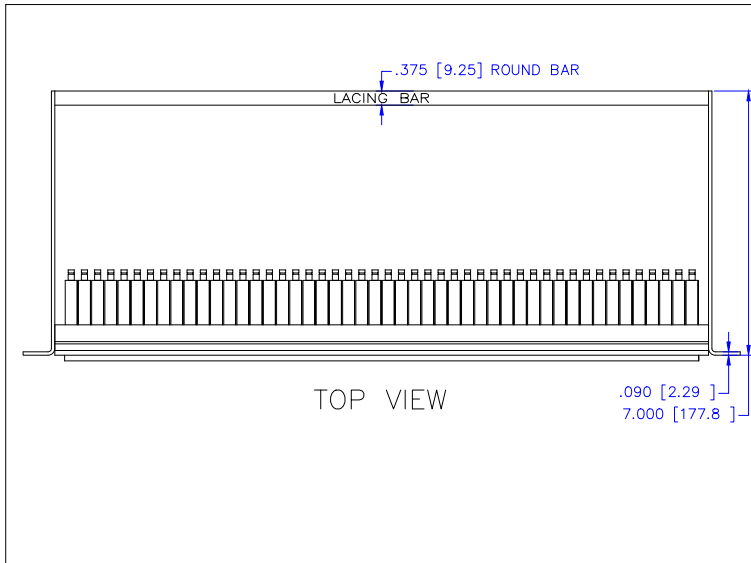
DESIGNATION: DS430-10-ASSY

FINISH: BLACK POWDER COAT

PANEL MATERIAL:
 FORMED ALUMINUM

JACK SCREWS:
 3MMx6MM FLPH

LAYER (DS_INSERT) IS PROVIDED FOR THE CREATION OF LEGEND STRIPS FOR THIS PATCHBAY. THE RED OUTLINE MATCHES THE SIZE OF INSERT.
 PLEASE NOTE THE VIEWABLE AREA IS LISTED IN NOTES BELOW THE FRONT PANEL VIEW.



TOOLS AND ACCESSORIES

ITEM DESCRIPTION	ORDER NUMBER
DIN CONNECTOR REMOVAL TOOL LENGTH 12" [304.8 MM]	W51.OREMTOOL
DIN CONNECTOR FOR 1505A CABLE	BIT-DIN15-75
DIN CONNECTOR FOR 1855A CABLE	BIT-DIN18-75

